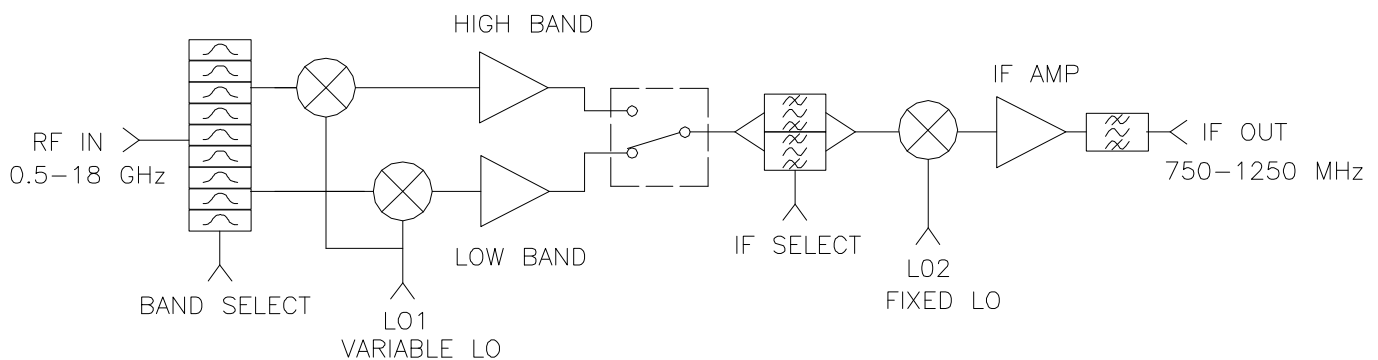


A Baseband converter accepts a broad input frequency range, and converts to a fixed, narrow band output range, suitable for direct analog or digital processing. One of nine input bands is selected via external digital input. An external Local Oscillator input signal is required to down convert into one of two IF bands. Dual first IF bands enable spurious signal performance to be optimized. A fixed LO input is required to down convert to the IF output band.

FEATURES

- Broadband Performance (0.5 to 18.0 GHz)
- Fixed Output Band (750-1250 MHz)
- Nine Band Input Preselector
- Broad Dynamic Range (60 dB)
- Small Size (24 cubic inches)
- Low DC power Consumption (12 Watts)



SPECIFICATIONS

<i>PARAMETER</i>	<i>PERFORMANCE</i>
Input Frequency Range	0.5-18.0 GHz
Output Frequency Range	750-1250 MHz
First LO Frequency	5.0-26.0 GHz @ 0 to +10 dBm
Second LO Frequency	9.0 GHz @ 0 to +10 dBm
Nominal Gain	30 dB
Dynamic Range	60 dB
Noise Figure	20 dB
Input 1 dB Compression Point	-15 dBm
Spurious Signal Suppression	-45 dBc (with proper LO selection)
Band Select Switching Speed	100 nanoseconds max
RF Connectors	SMA (f)
DC Connector	MDM 21S
Operating Temperature	-40°C to +85°C
Environmental	MIL-STD-5400, Class 1B or equivalent



Sage Laboratories Inc.

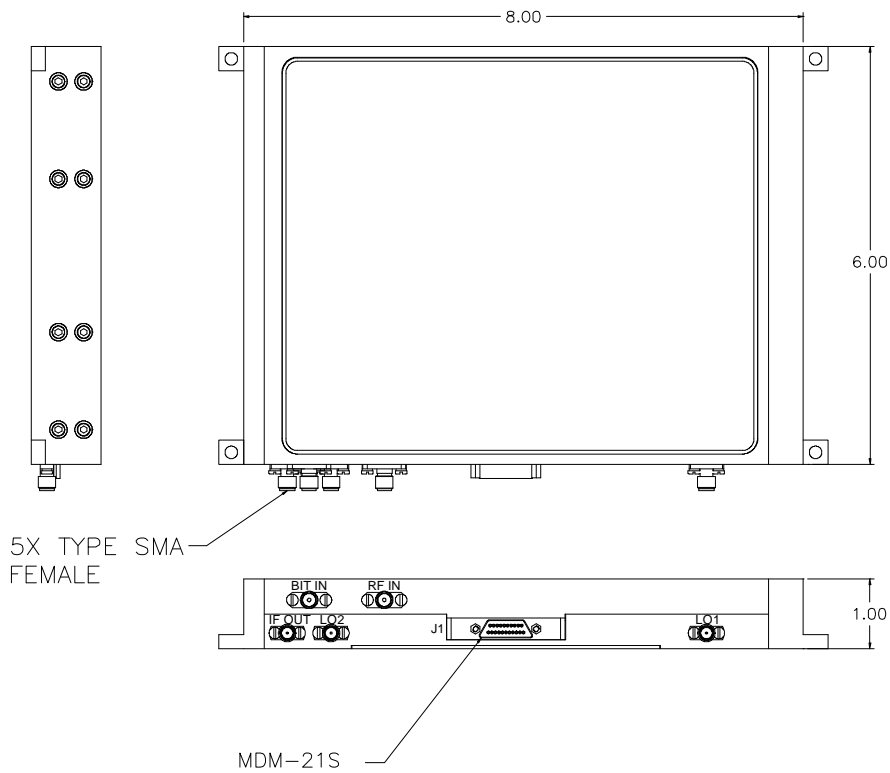
8 Executive Drive Hudson, NH 03051 Tel: 603-459-1600 Fax: 603-459-1605

www.filss.com

INPUT PRESELECTOR BANDS

<i>PRESELECTOR FILTER</i>	<i>FREQUENCY RANGE</i>
Band 1	0.5 - 2.7 GHz
Band 2	2.7 - 3.3 GHz
Band 3	3.3 - 4.1 GHz
Band 4	4.1 - 6.4 GHz
Band 5	6.4 – 8.6 GHz
Band 6	8.6 – 10.9 GHz
Band 7	10.9 – 13.1 GHz
Band 8	13.1 – 15.4 GHz
Band 9	15.4 – 18.0 GHz

OUTLINE DRAWING



MICSELLANIOUS:

1. Sage Laboratories Inc. "Standard Warranty and Order Terms and Conditions" apply to all orders.
2. All specifications subject to change without notice.
3. Check "Ordering and Availability Listing" for delivery and ordering information.
4. Contact our local Manufacturers Representative for pricing.

Specification Revision - 051006

